

## eLearning Day 1 Visual Art Packet – Grade 2 – 2019-2020

Please complete the activity below with your child on the eLearning Day. Have your child complete the activity at home to count as attendance for the day we would have spent at school.

**Child's Name:** \_\_\_\_\_ **Teacher: Ms. Aimée Wieler**

**Grade 2 Visual Arts Activity: Lego Designer:** Design a set of two related Lego mini-figures.

### I Can Statements

- I can use the elements and principles of art to create artwork.
- I can share and talk about my artwork.
- I can relate visual arts ideas to careers.

\_\_\_\_\_ **Activity 1: Creating Art** – Assume the role of a Lego designer. Your employer (boss) wants you to create two Lego mini-figures that are related. Some ideas are: student and teacher, parent and child, brother and sister, farmer and cow, super hero and villain. Use the template to design the two mini-figures. Think about clothing, facial expressions, and accessories. Coloring the mini-figures is encouraged, but optional.

\_\_\_\_\_ **Activity 2: Presenting Art** – Share your mini-figure set with an adult family member. Describe the mini-figures and explain how they are related.

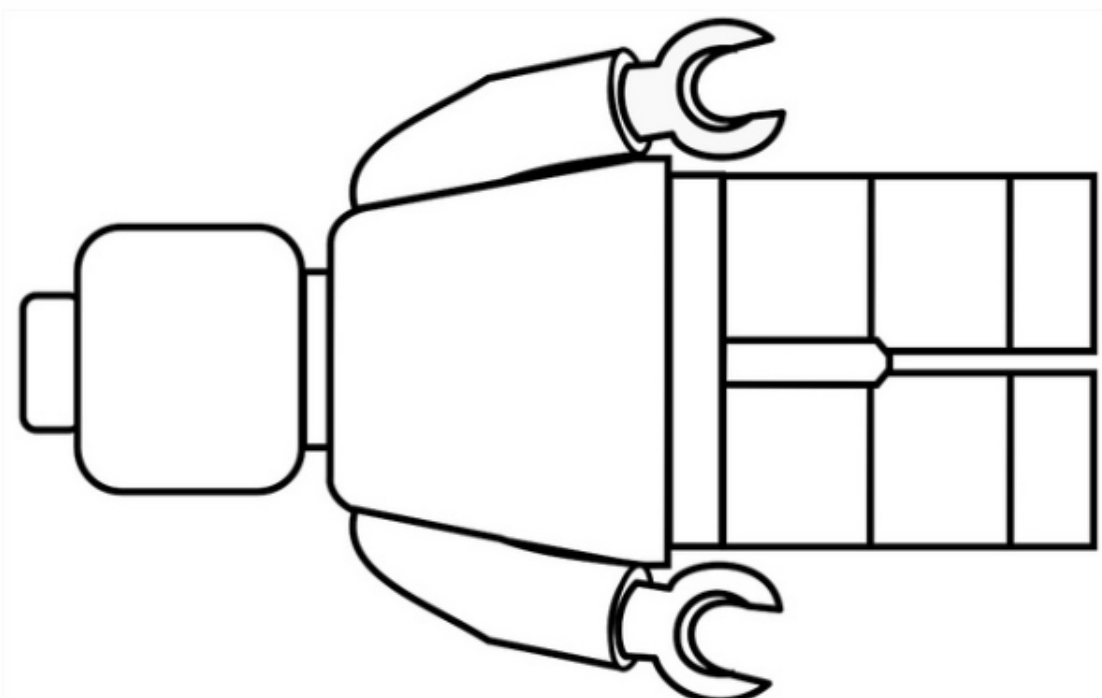
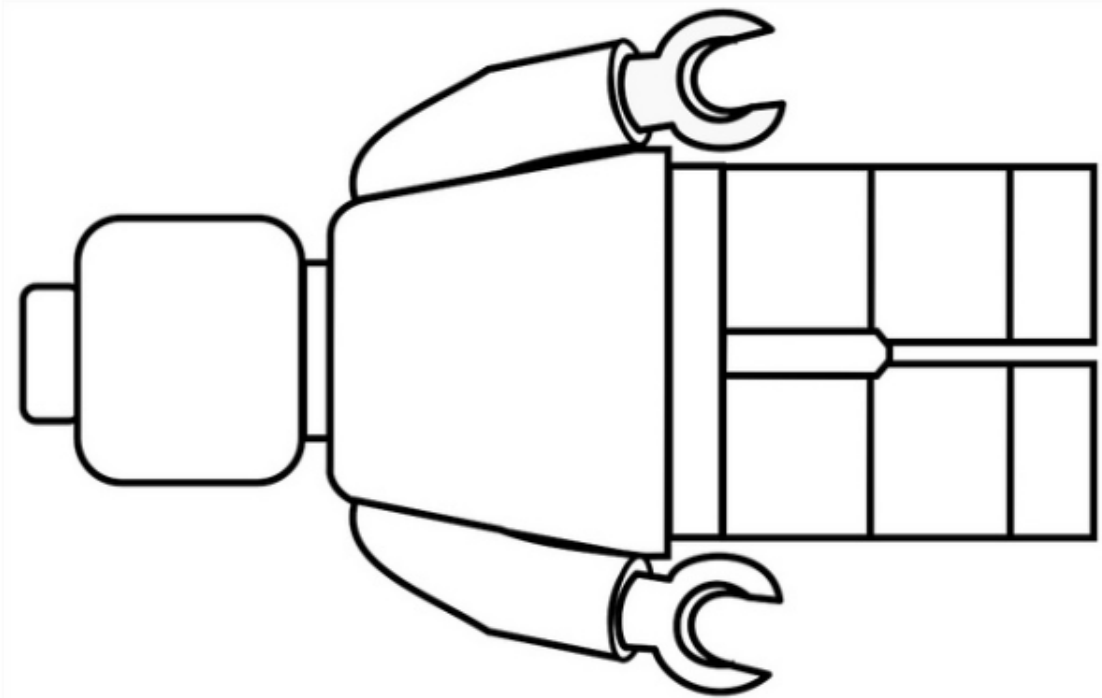
#### **2017 South Carolina College and Career-Ready Standards for Visual Arts**

**Anchor Standard 1:** I can use the elements and principles of art to create artwork.

**Anchor Standard 3:** I can improve and complete artistic work using the elements and principles.

**Benchmark VAPNL3:** I can share and talk about my artwork.

**Anchor Standard 7:** I can relate visual arts ideas to other arts disciplines, content areas, and careers.



## eLearning Day 2 Visual Art Packet – Grade 2 – 2019-2020

Please complete the activity below with your child on the eLearning Day. Have your child complete the activity at home to count as attendance for the day we would have spent at school.

**Child's Name:** \_\_\_\_\_ **Teacher: Ms. Aimée Wieler**

**Grade 2 Visual Arts Activity: Script Writer:** Write a Lego movie script or story. Choose one of the two choice activities and then complete Activity 3.

### I Can Statements

- I can share and talk about my artwork.
- I can relate visual arts ideas to other content areas and careers.

\_\_\_\_\_ **CHOICE Activity 1: Writing a Lego Movie** – Assume the role of a Lego movie maker and script writer. Write a script or series of dialogue between the two Lego mini-figures you designed in the Day 1 art lesson. Use language creatively to help represent who your Lego mini-figures are.

**OR**

\_\_\_\_\_ **CHOICE Activity 2: Writing a Lego Story** – Assume the role of a writer. Write a short story that includes the two Lego mini-figures you designed in the Day 1 art lesson as two characters in your story. Use language creatively to help represent who your Lego mini-figures are.

\_\_\_\_\_ **Activity 3: Presenting Art** – Read your script or story with an adult. Compare the writing with the Lego mini-figures you designed during the Day 1 art lesson. Discuss changes that would improve your mini-figures and/or your script/dialogue/story. Record changes you would make if you were to redo this project.

#### **2017 South Carolina College and Career-Ready Standards for Visual Arts**

**Anchor Standard 1:** I can use the elements and principles of art to create artwork.

**Anchor Standard 3:** I can improve and complete artistic work using the elements and principles.

**Benchmark VAPNL3:** I can share and talk about my artwork.

**Anchor Standard 7:** I can relate visual arts ideas to other arts disciplines, content areas, and careers.



## eLearning Day 1 Visual Art Packet – Grade 3 – 2019-2020

Please complete the activity below with your child on the eLearning Day. Have your child complete the activity at home to count as attendance for the day we would have spent at school.

**Child's Name:** \_\_\_\_\_ **Teacher: Ms. Aimée Wieler**

**Grade 3 Visual Arts Activity: Lego Designer:** Design a set of two related Lego mini-figures.

### I Can Statements

- I can use the elements and principles of art to create artwork.
- I can share and talk about my artwork.
- I can relate visual arts ideas to careers.

\_\_\_\_\_ **Activity 1: Creating Art** – Assume the role of a Lego designer. Your employer (boss) wants you to create two Lego mini-figures that are related. Some ideas are: student and teacher, parent and child, brother and sister, farmer and cow, super hero and villain. Use the template to design the two mini-figures. Think about clothing, facial expressions, and accessories. Coloring the mini-figures is encouraged, but optional.

\_\_\_\_\_ **Activity 2: Presenting Art** – Share your mini-figure set with an adult family member. Describe the mini-figures and explain how they are related.

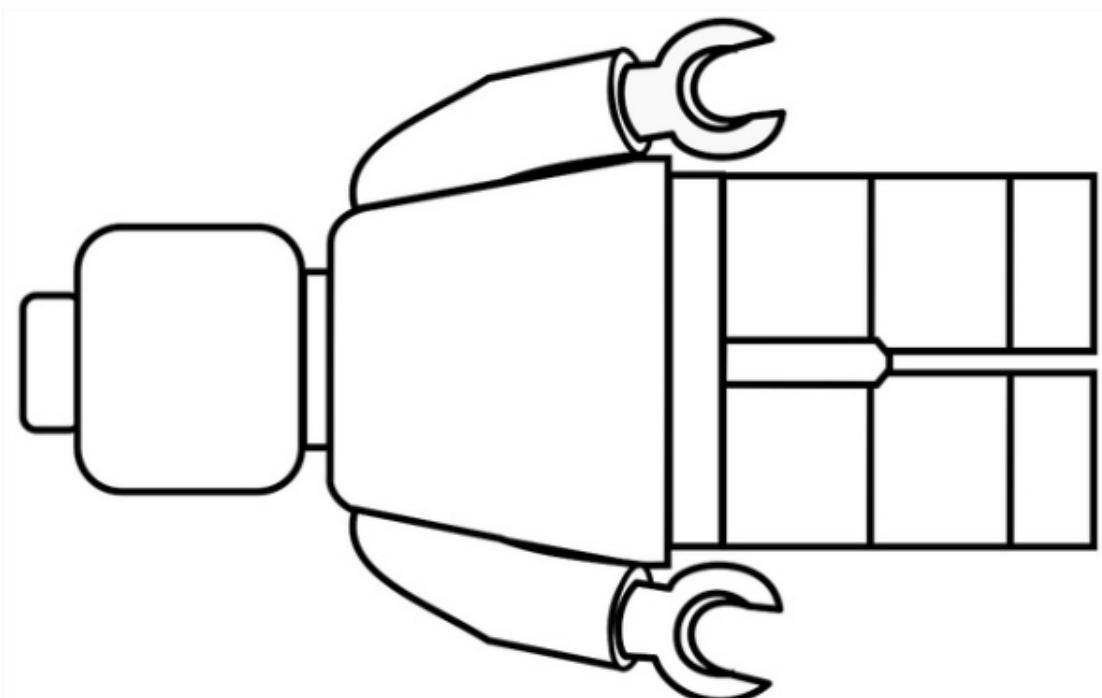
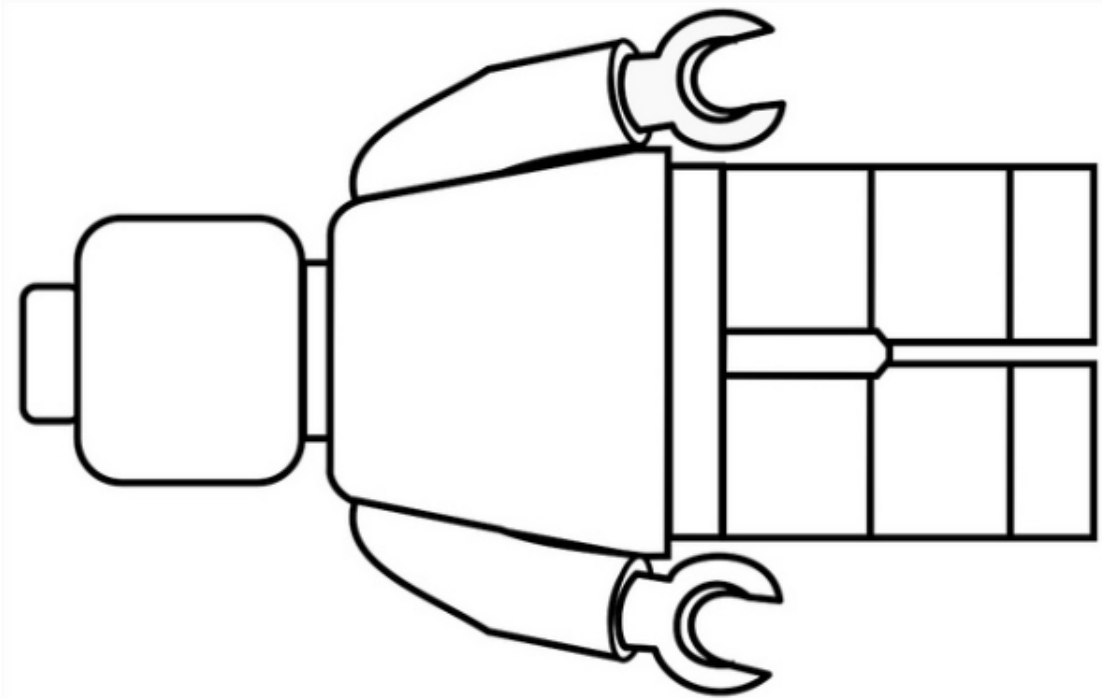
#### **2017 South Carolina College and Career-Ready Standards for Visual Arts**

**Anchor Standard 1:** I can use the elements and principles of art to create artwork.

**Anchor Standard 3:** I can improve and complete artistic work using the elements and principles.

**Benchmark VAPNL3:** I can share and talk about my artwork.

**Anchor Standard 7:** I can relate visual arts ideas to other arts disciplines, content areas, and careers.



## eLearning Day 2 Visual Art Packet – Grade 3 – 2019-2020

Please complete the activity below with your child on the eLearning Day. Have your child complete the activity at home to count as attendance for the day we would have spent at school.

**Child's Name:** \_\_\_\_\_ **Teacher: Ms. Aimée Wieler**

**Grade 3 Visual Arts Activity: Script Writer:** Write a Lego movie script or story. Choose one of the two choice activities and then complete Activity 3.

### I Can Statements

- I can share and talk about my artwork.
- I can relate visual arts ideas to other content areas and careers.

\_\_\_\_\_ **CHOICE Activity 1: Writing a Lego Movie** – Assume the role of a Lego movie maker and script writer. Write a script or series of dialogue between the two Lego mini-figures you designed in the Day 1 art lesson. Use language creatively to help represent who your Lego mini-figures are.

**OR**

\_\_\_\_\_ **CHOICE Activity 2: Writing a Lego Story** – Assume the role of a writer. Write a short story that includes the two Lego mini-figures you designed in the Day 1 art lesson as two characters in your story. Use language creatively to help represent who your Lego mini-figures are.

\_\_\_\_\_ **Activity 3: Presenting Art** – Read your script or story with an adult. Compare the writing with the Lego mini-figures you designed during the Day 1 art lesson. Discuss changes that would improve your mini-figures and/or your script/dialogue/story. Record changes you would make if you were to redo this project.

#### **2017 South Carolina College and Career-Ready Standards for Visual Arts**

**Anchor Standard 1:** I can use the elements and principles of art to create artwork.

**Anchor Standard 3:** I can improve and complete artistic work using the elements and principles.

**Benchmark VAPNL3:** I can share and talk about my artwork.

**Anchor Standard 7:** I can relate visual arts ideas to other arts disciplines, content areas, and careers.

